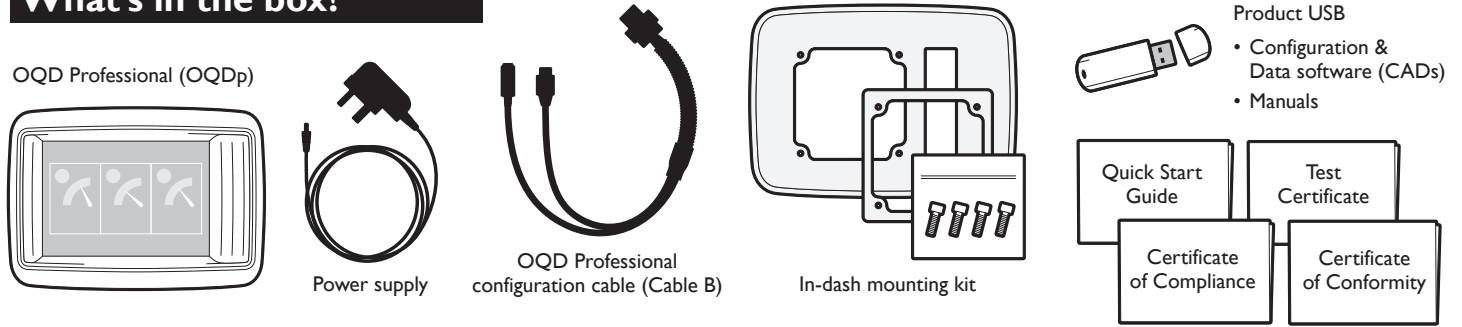


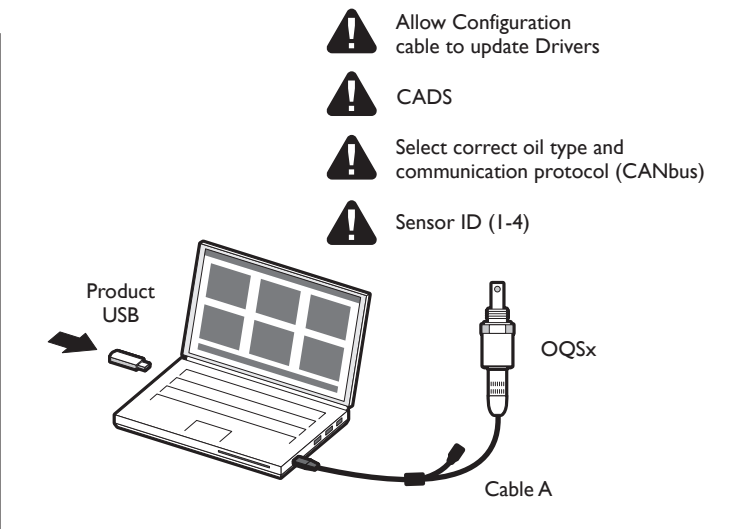
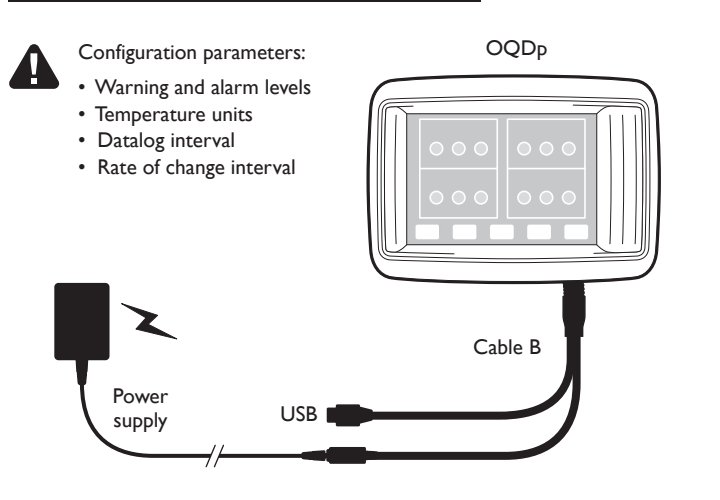
OQD Professional Pack (OQDp)

QUICK START GUIDE

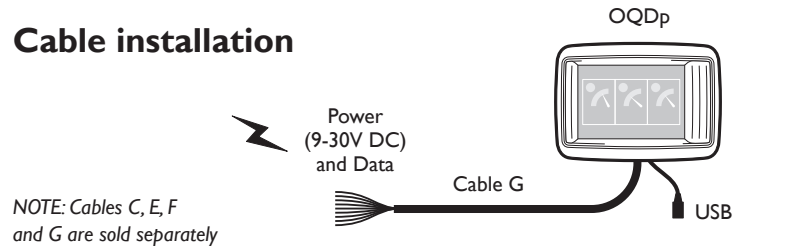
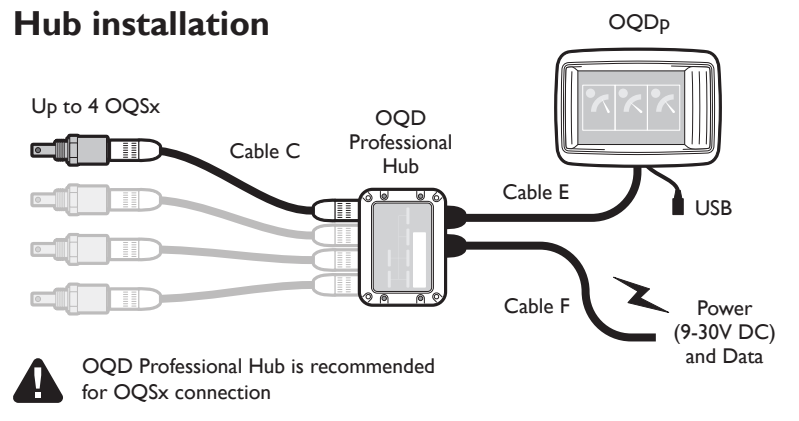
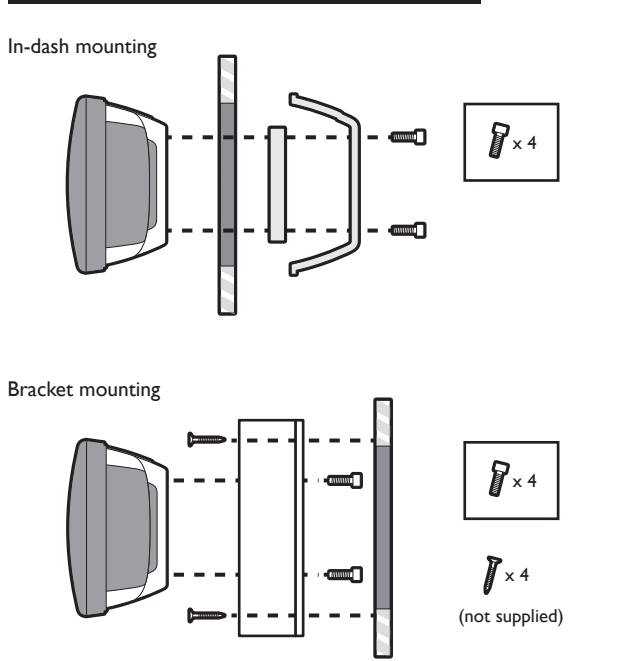
What's in the box?



1. Configure



2. Install and connect



3. Activation steps

- Check installation
- Power On
- Wait for 1 minute
- Check output

Troubleshooting

1. Check configuration (step 1)
2. Refer to manual
3. www.tandeltasystems.com/support
4. support@tandeltasystems.com

Tan Delta Products

3rd Party Options

